

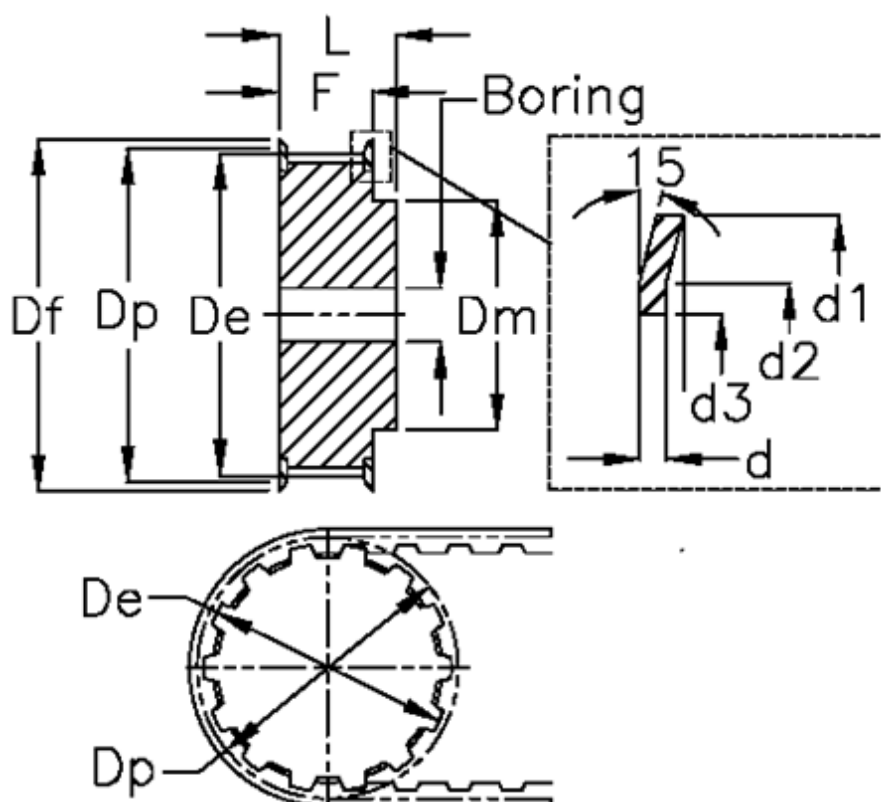
# Data Sheet



Article number: 604140021006

Description: Timing belt pulley with hub  
HTD 21 3M 6

## Measures



|            |                   |
|------------|-------------------|
| Bore = 6   | Dp = 20.05        |
| d = 0.5    | F = 9.8           |
| d1 = 25    | Flange type = F08 |
| d2 = 21.5  | L = 17.5          |
| d3 = 15    | Tooth number = 21 |
| De = 19.29 | Type = 3M         |
| Df = 25    | Weight = -        |
| Dm = 13    | Width = 06        |